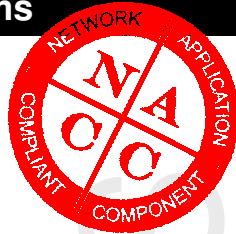
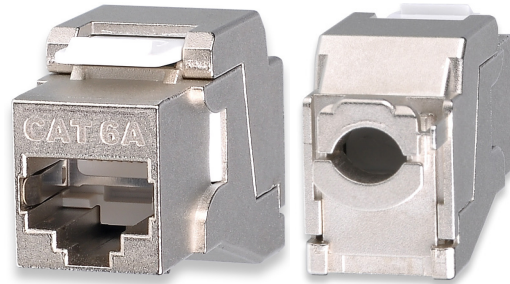


Category 6A Screened Toolless Keystone Jack

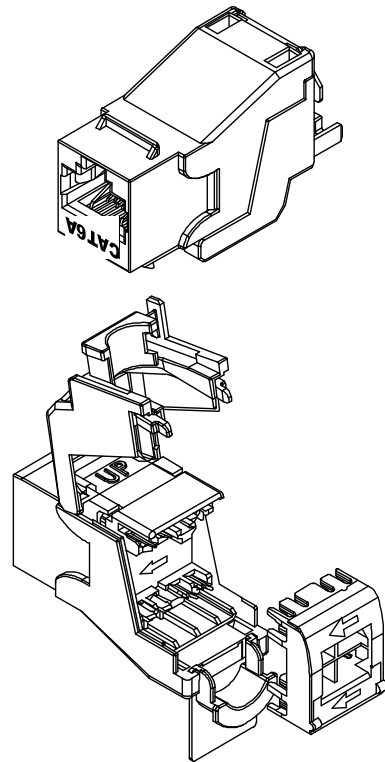
Signamax category 6A screened keystone jacks are designed to meet 10 Gigabit IEEE 802.3an rev. 1.0 transmission requirements, and are guaranteed to meet or exceed TIA-568-C.2 performance specifications. Screened keystone jacks with an overall overlap solid shielding design support category 6A 100-meter channel performance.

Category 6A screened keystone jacks are compatible with Signamax keystone faceplates (1-, 2-, and 4-port) and snap-in patch panels (24-port 1-RMS and 48-port 2-RMS) providing flexibility in field installation and easy connection to the telecommunications bonding and grounding system.



KEY FEATURES

- Designed to meet 10G IEEE 802.3an transmission requirements
- Guaranteed to meet or exceed TIA-568-C.2 performance specifications
- Support category 6A 100-meter channel performance
- Contact design provides enhanced plug to jack connection integrity and protects against damage caused by insertion of 4 or 6 position plugs
- 110-type contacts provide improved wire retention and ease of termination
- Compatible with Signamax screened snap-in patch panels
- Overall solid shielding design
- Rated for at least 750 plug insertions providing for the highest level of system reliability
- T568A and T568B wiring with an easy to read color-code wiring label for maximum flexibility
- Terminated with integrated toolless termination cap



ORDERING INFORMATION

Category 6A Screened Toolless Keystone Jack

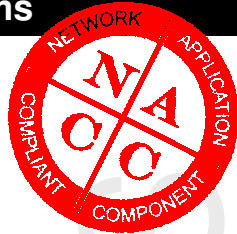
Part Number	Description
KJS458TL-C6AC	Category 6A Screened Toolless TL-Series Keystone Jack, T568 A/B

RELATED PRODUCTS

Product/Product Group	Spec Sheet #
Category 6A Screened Patch Cords _____	PSS.C6ASL-FTP-PC (A-OCT-08)
Category 6A Unscreened Patch Cords _____	PSS.C6A-UTP-PC (B-AUG-09)
Keystone Faceplates Adapters and Mounting Hardware _____	PSS.KFA-MH (A-AUG-07)
Keystone Plastic Faceplates _____	PSS.KPF (B-AUG-09)
Keystone Stainless Steel Faceplates _____	PSS.KSSF (B-AUG-09)
Modular Furniture Keystone Adapters _____	PSS.MFKA (A-AUG-07)
Unloaded High Density Multimedia Patch Panel _____	PSS.U-HD-MM-PP (A-OCT-08)

SPECIFICATIONS

Category 6A Screened Toolless Keystone Jack



SPECIFICATIONS

TRANSMISSION PERFORMANCE

ANSI/TIA-568-C.2: exceeds category 6A (1–500 MHz) specifications

TRANSMISSION MEDIA

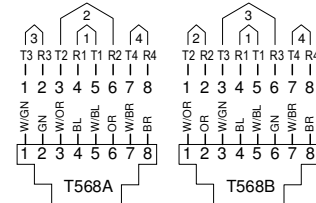
Unscreened (U/UTP) or screened (U/STP, F/UTP, F/STP, S/UTP, S/STP, SF/UTP, SF/STP) twisted pair

JACK TYPE

8p8c (8-position, 8-contact) "RJ45" style

WIRING SCHEME

ANSI/TIA-568-C.2: T568A & T568B
ISO/IEC 11801 2nd Ed.: 8-position pin/pair assignment (1-2/3-6/4-5/7-8)



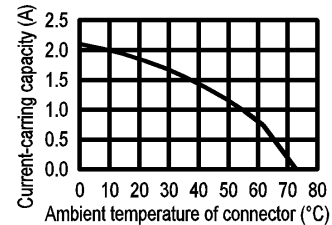
WIRING SCHEMES

WIRE GAUGE

22-24 AWG (0.644–0.511 mm)

ELECTRICAL

Insulation resistance: min 500 MOhm @ 100 V_{dc}
Dielectric withstanding voltage: 1,000 V_{dc/ac} peak contact-to-contact @ 60 Hz for 1 min
1,500 V_{dc/ac} peak contact-to-panel @ 60 Hz for 1 min
Spring wire contact resistance: max 20 mOhm
IDC contact resistance: max 2.5 mOhm
Current rating: see figure



CONSTRUCTION

Housing: zinc-alloy fully shielded
grounding post for 2.5 x 0.5-mm (0.110 x 0.020-in) female disconnect
Jack spring wire: phosphor bronze alloy plated with 50 μin of gold over 70–100 μin of nickel
IDC: 110 type, phosphor bronze alloy with 100-μin 100% tin (Sn) alloy

MECHANICAL

Total contact force: min 800 g for 8 wire leads
Retention force: 50 N (11 lbf) for 60 ± 5 s
Mating cycle life: min 750 cycles

FOOTPRINT

Standard keystone footprint

MOUNTING DIMENSIONS

D 42.40 mm H 25.80 mm W 14.60 mm
D 1.669 in H 1.016 in W 0.575 in

ENVIRONMENTAL CONDITIONS

Storage: -40 °C – +70 °C (-40 °F – +158 °F)
Operation: -10 °C – +60 °C (+14 °F – +140 °F)
RH (operation): max non-condensing 93 %

COMPLIANCE

ANSI/TIA-568-C.2, IEC 60603-7, FCC Part 68 Subpart F, UL 94V-0

APPLICATIONS

X.21, V.11, S0, ISDN, CSMA/CD 10BASE-T, 100BASE-TX, 100BASE-T4, 100BASE-T2, 1000BASE-T, 10GBASE-T, TR 4/16/100, 100BASE-VG, ATM LAN 25/51/155, TP-PMD

WARRANTY

5-year limited component warranty
10-year Signamax Link/Channel Warranty
15-year Signamax Extended Component Warranty
25-year Signamax Cabling System Warranty

